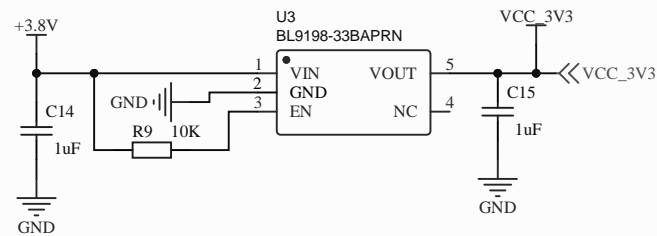
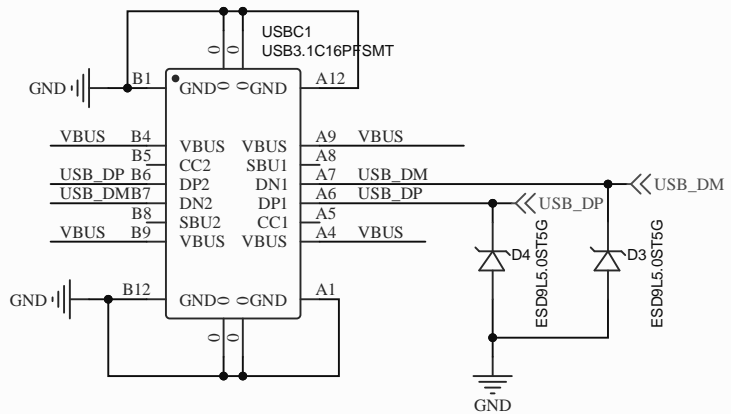
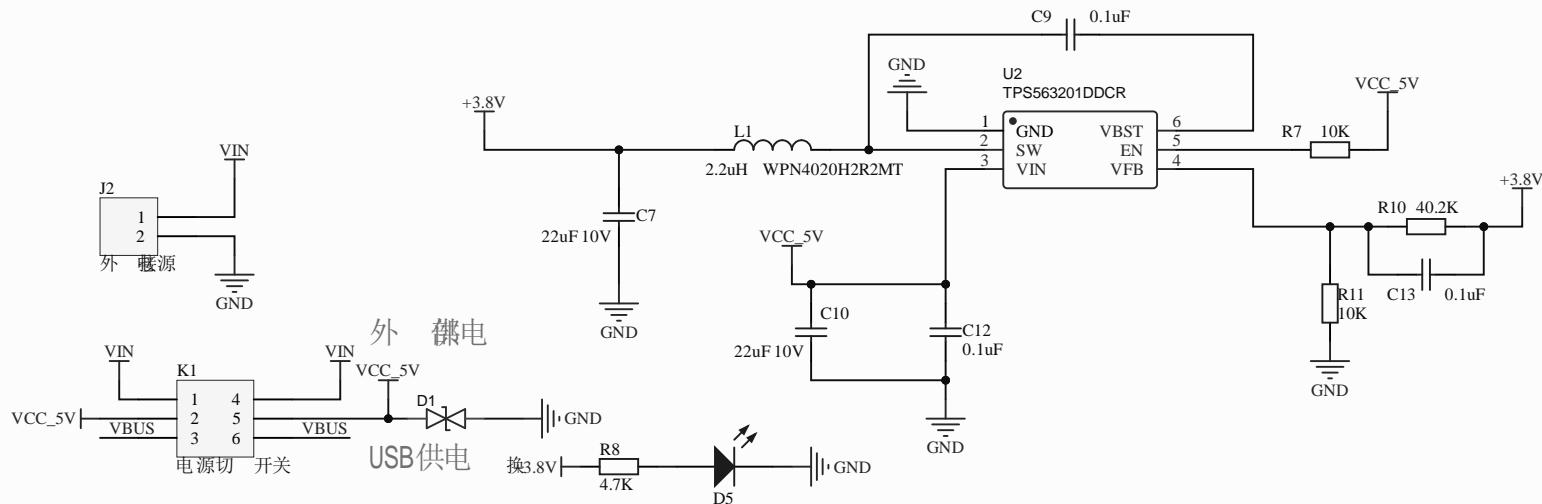
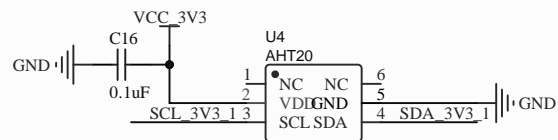


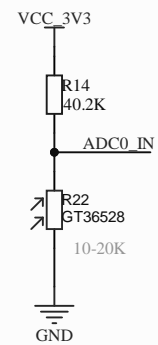
| | | |
|-------------------|-------------------------------------|-----------|
| Title EC600X | | |
| Size A2 | Number | Revision |
| Date 3-31-2023 | Sheet of G:\项目\1.1.EC600S.SchDoc | Drawn By: |



| | | |
|-----------------------------------|-----------|----------|
| Title | | |
| Size A4 | Number | Revision |
| Date: 3-31-2023 | Sheet of | |
| File: G:\项目\...\2.POWER.SchDoc | Drawn By: | |



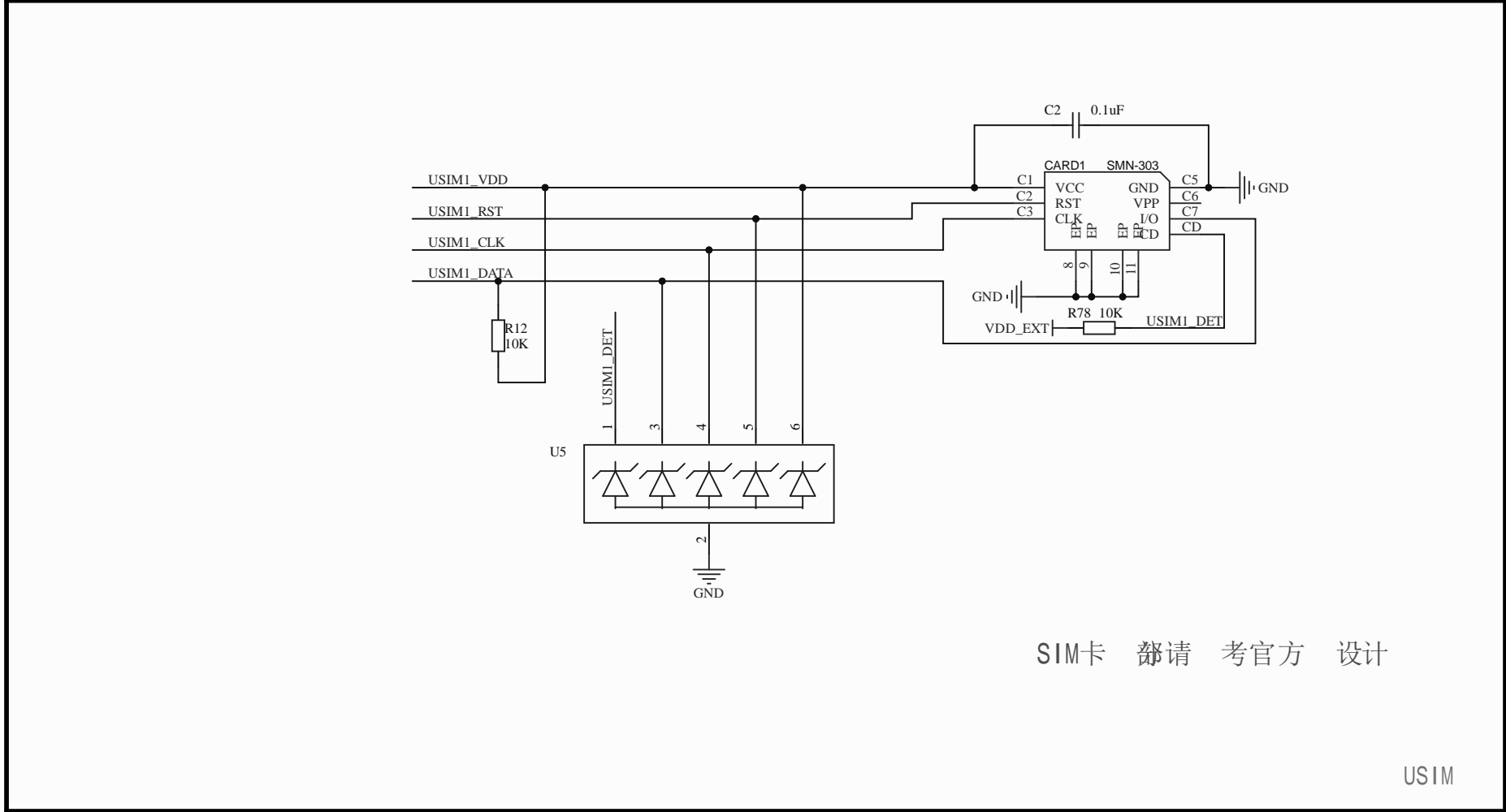
温湿度传感器



光电阻

SENSOR

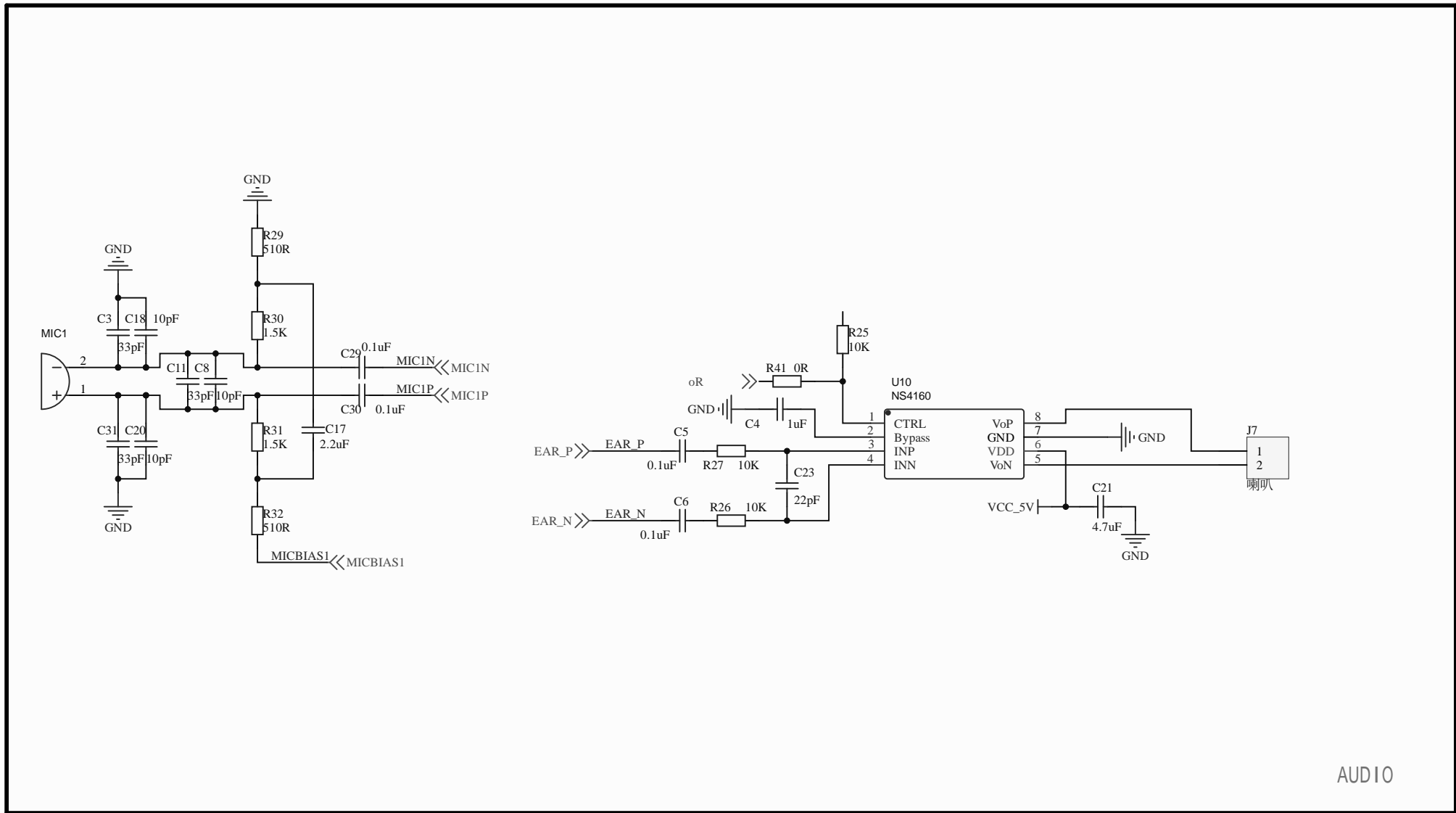
| | | |
|---|-----------|----------|
| Title | | |
| Size A4 | Number | Revision |
| Date: 3-31-2023 | Sheet of | |
| File: G:\项目\...\3.SENSOR+EEPROM.SchDoc | Drawn By: | |



SIM卡 设计 考官方

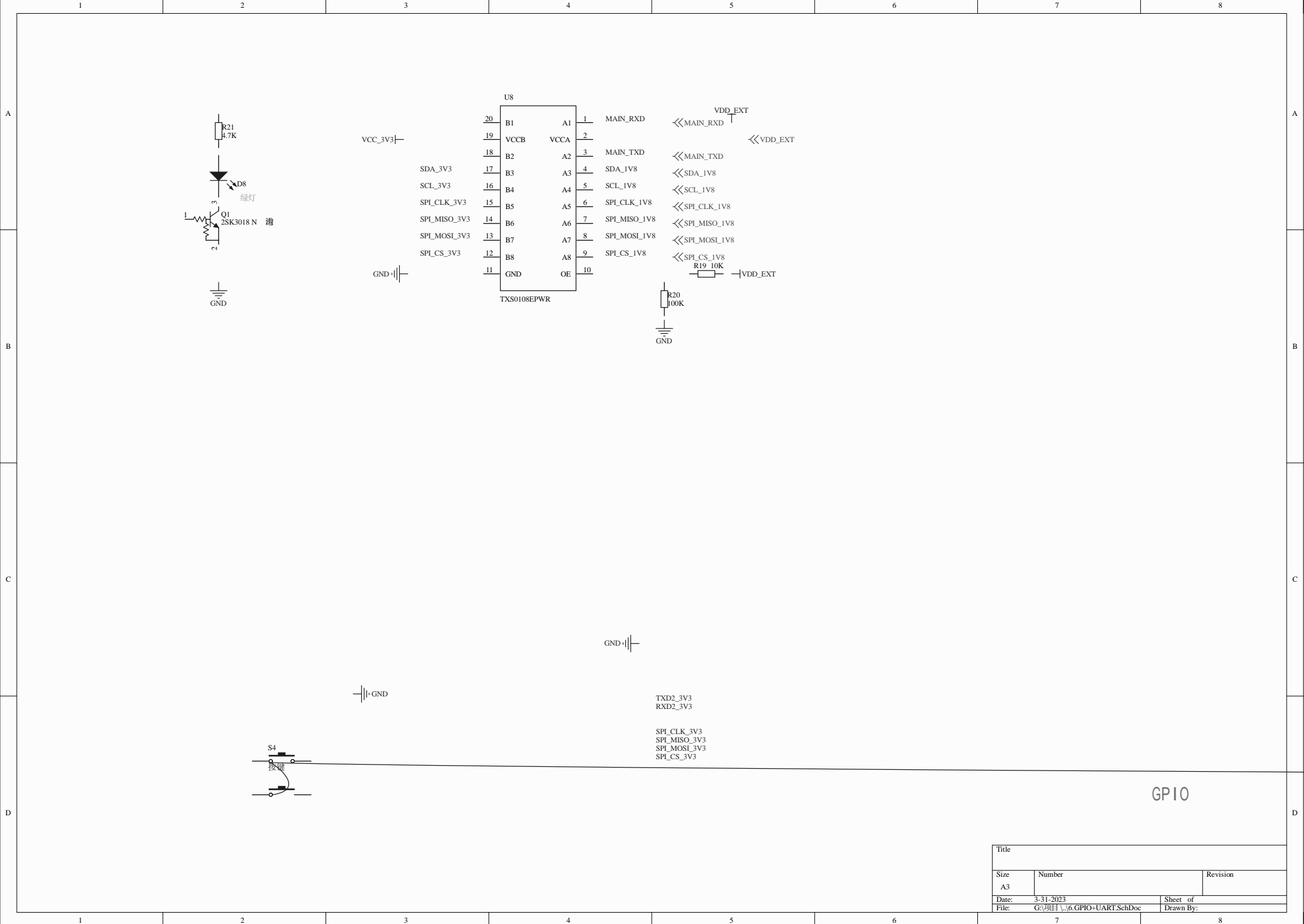
USIM

| | | |
|-------|-------------------------|-----------|
| Title | | |
| Size | Number | Revision |
| A4 | | |
| Date: | 3-31-2023 | Sheet of |
| File: | G:\项目\4.SIM-CARD.SchDoc | Drawn By: |



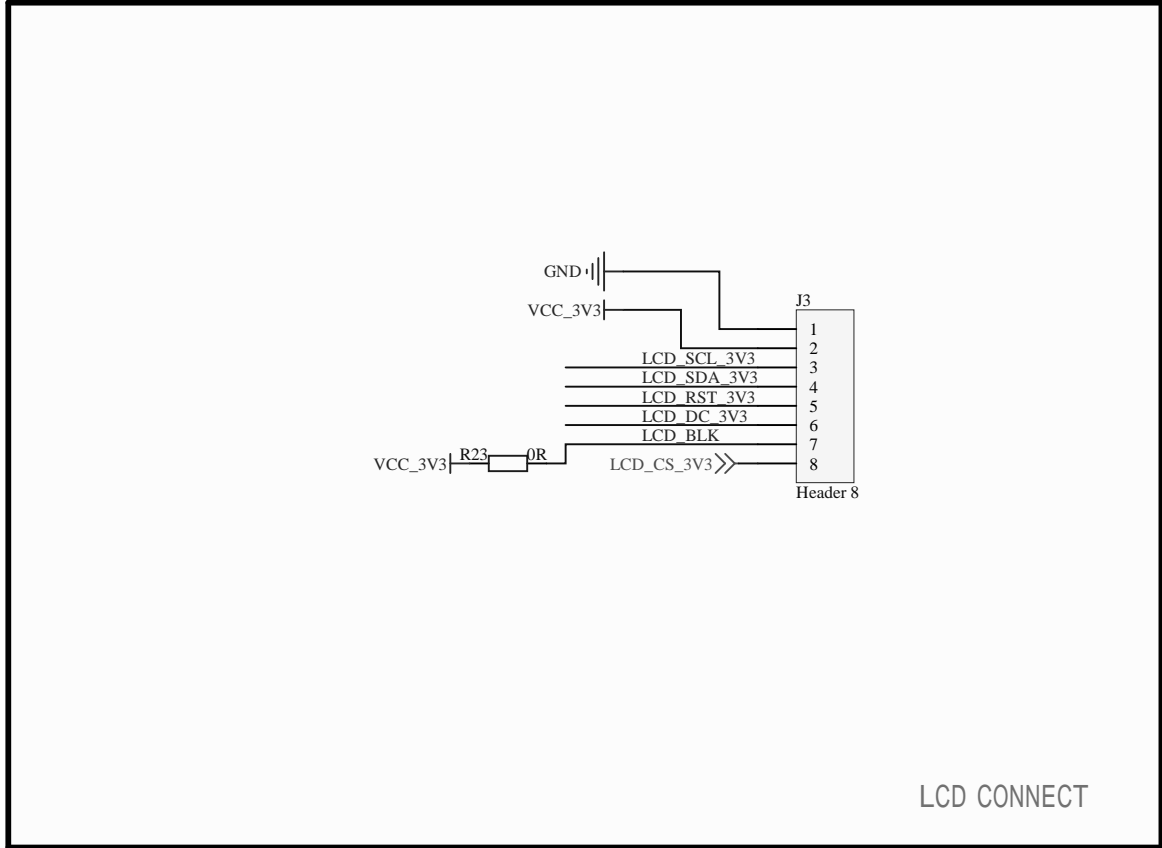
AUDIO

| | | |
|-------|--------------------------|-----------|
| Title | | |
| Size | Number | Revision |
| A4 | | |
| Date: | 3-31-2023 | Sheet of |
| File: | G:\项目\...\5.AUDIO.SchDoc | Drawn By: |



GPIO

| | | |
|-------|--------------------------|-----------|
| Title | | |
| Size | Number | Revision |
| A3 | | |
| Date: | 3-31-2023 | Sheet of |
| File: | G:\项目\6.GPIO+UART.SchDoc | Drawn By: |



LCD CONNECT

| | | |
|------------|------------------------|-----------|
| Title | | |
| Size A4 | Number | Revision |
| Date: | 3-31-2023 | Sheet of |
| File: | G:\项目\...\7.LCM.SchDoc | Drawn By: |